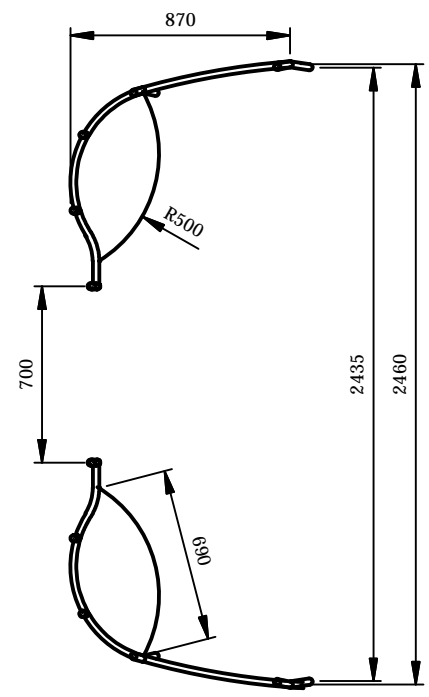
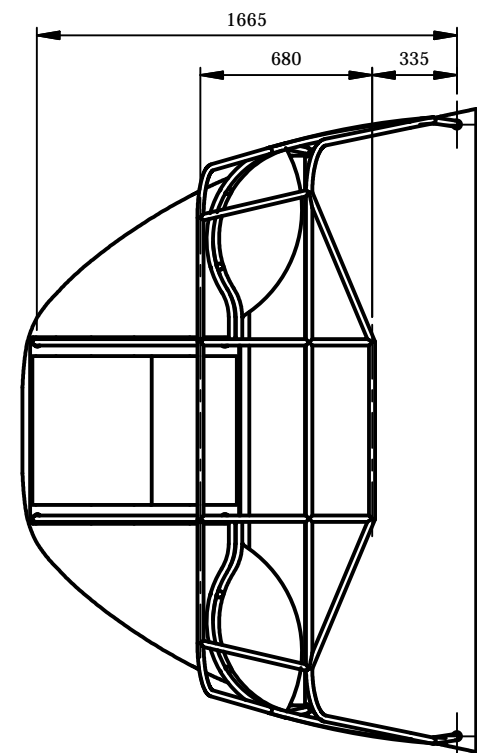


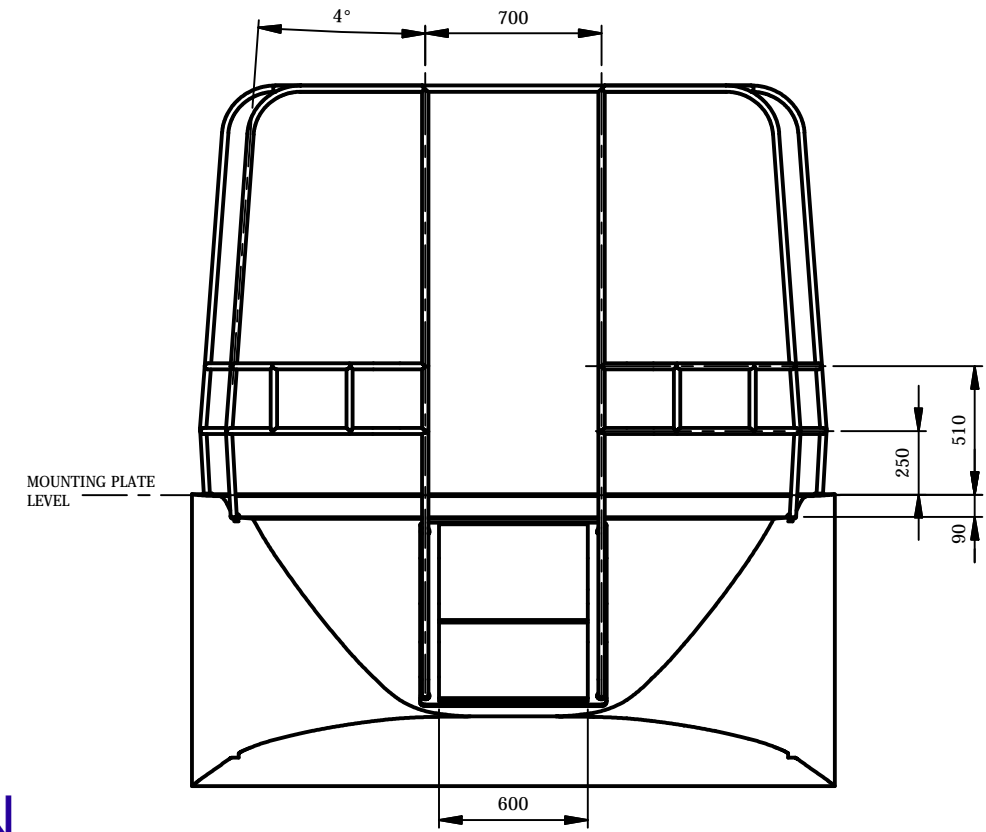
**ISO VIEW**  
NOT TO SCALE



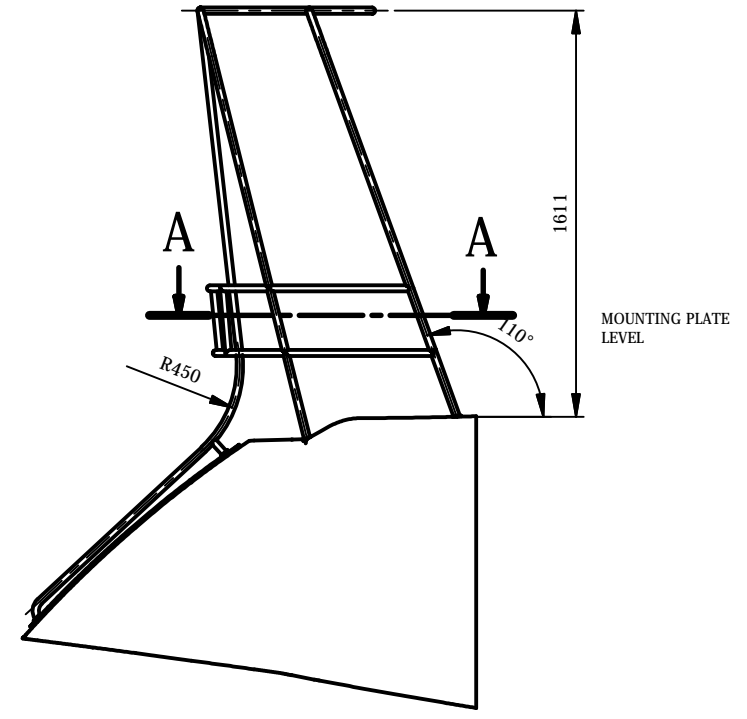
**SECTION A-A**  
REFER TO SHEET 5 FOR COMPLETE FABRICATION DETAILS



**TOP VIEW**



**AFT VIEW**



**STARBOARD VIEW**



19 Cross St, Bunbury WA 6230  
Ph: (08) 97 218 446  
design@birchdesign.com.au  
www.birchdesign.com.au

**STAINLESS STEEL TARGA**  
YACHT 'SEEKER'

No part of this drawing may be copied, modified or reproduced without permission from Birch Design.			
Sheet Title	Scale	Revision	Sheet
GEN.VIEWS	1:30 UON	B	2