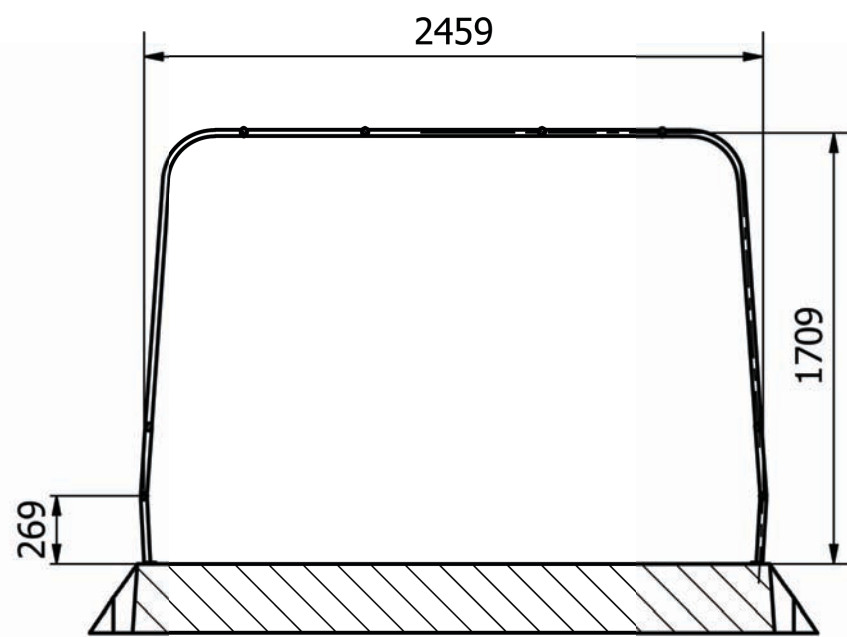
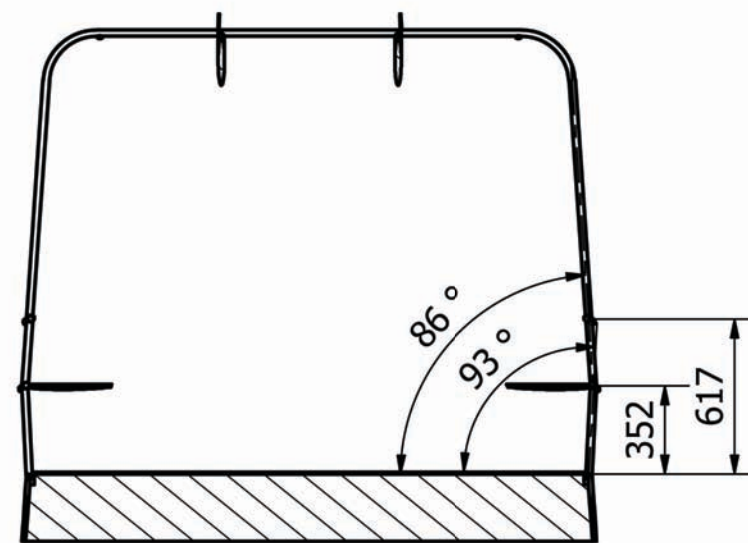


SECTION E-E



SECTION F



SECTION G

Designed by andrew.birch	Checked by J.BIRCH	Approved by	Date	Date 26/05/2009
			STERN RAIL	
			Edition B	Sheet 4 / 4