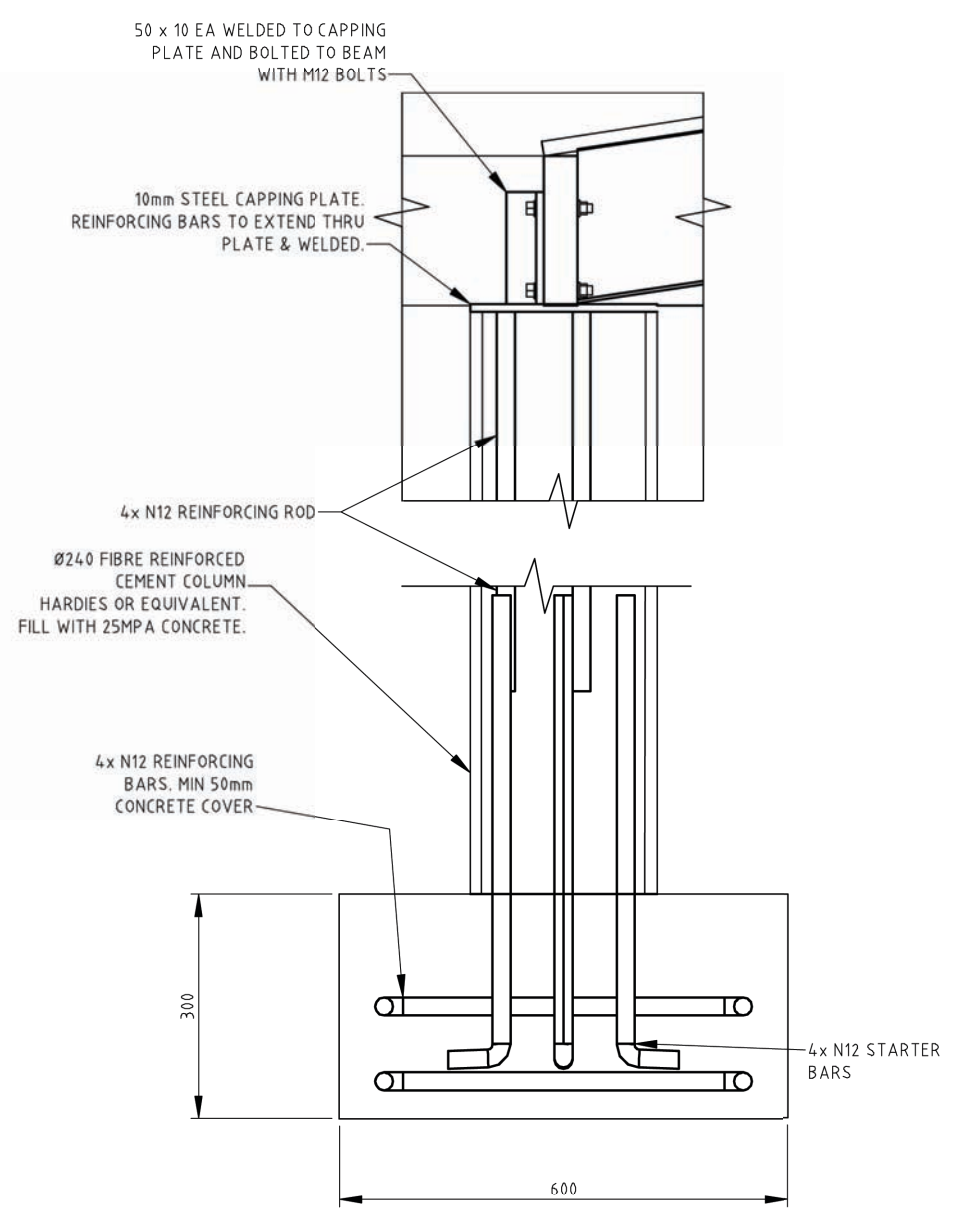
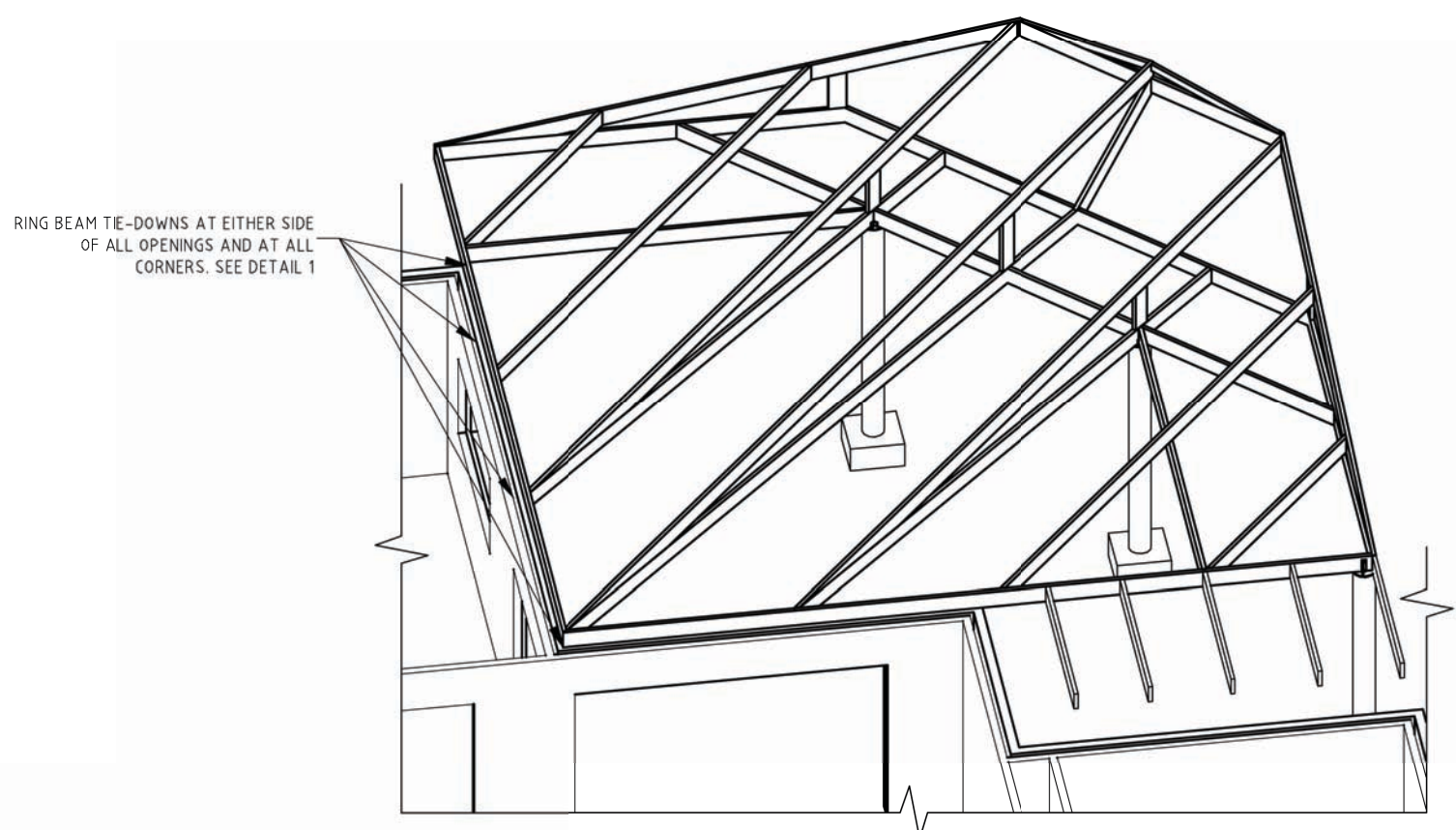


**DETAIL 1**  
BEAM TIEDOWN & VALLEY GUTTER



**DETAIL 2**  
COLUMN DETAILS



**ISO VIEW**  
PERGOLA BEAMS



19 Cross St, Bunbury WA 6230  
Ph: (08) 97 218 446  
design@birchdesign.com.au  
www.birchdesign.com.au

PROPOSED RENOVATIONS

No part of this drawing may be copied, modified or reproduced without permission from Birch Design.			
Sheet Title DETAILS	Scale 1:10 UON	Revision A	Sheet 8 of 8